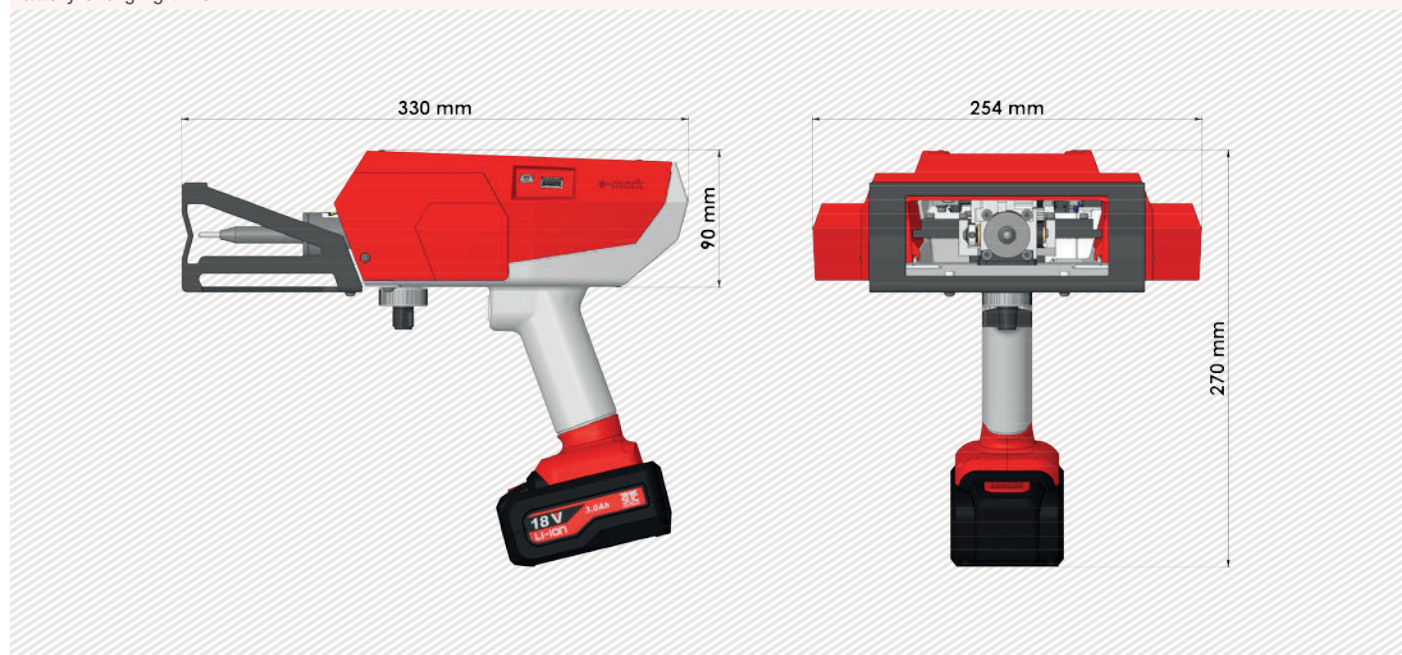




# TECHNICAL & MECHANICAL FEATURES

	e-mark XL
Marking window	120 x 40 mm - 4.7 x 1.6 in
External dimensions	330 x 254 x 270 mm - 13 x 10 x 10.6 in
Weight	3,6 kg - 6.6 lbs
Stylus	Tungsten carbide
Positioning aid	Position memory
Operating life	From 1h (intensive use) to one day in normal use
Battery charging time	1h



## OPTIONS



Maintenance kit



Custom front plates



Wireless barcode reader



Datamatrix reader

Please consult us if a specific configuration is not published in the table attached.

SIC Marking designs customized and turnkey solutions for all industrial sectors. Our design offices produce machines in compliance with your specifications and your industrial standards.

# E1 CONTROL UNIT

## The e1 controller

- USB port (allows you to easily transfer your marking files)
- Fully programmable
- Small size
- Marking diversity (DataMatrix, circular, alphanumeric, logos ...)
- Membrane protected industrial keyboard



+ USB Port



+ Color screen



+ Ergonomic handle



+ Transport suitcase



## Technical & electronic features

e1 controller	
LCD screen	HD color, 70 x 54 mm - 2.7 x 2.1 in
Keyboard	49 keys, membrane protection
Power	100 Watt
Power supply	18V / 3A
Communication ports	USB
Inputs-outputs	Jack socket
PC software	Creation, backup and transfer of logo files



## APPLICATIONS



# E1 RANGE SOFTWARE

## Software features

Memory	>100 Mo
Variable	Alphanumeric, incrementation, timestamp, barcode
Logos	Download from a PC or USB key
Fonts	Arial, Comic, Comic_B, Courier, OCR, OCR_BOLD, OCRA, 4x6
Style	Angular, radiant, linear, radial, datamatrix, logo
Character Size	From 1 mm to 40 mm (limited following marking window)
Impact Force	9 adjustable levels
Depth	Up to 0,3 mm (according to the material)
Resolution Between Dots	0,05 mm MAX
Password	2 security levels

### Icon programming Graphic View



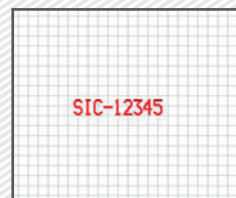
- + Ergonomics and quick programming
- + History function with anti-duplicate
- + Automatic or semi-automatic mode using barcode reading



 Angular marking



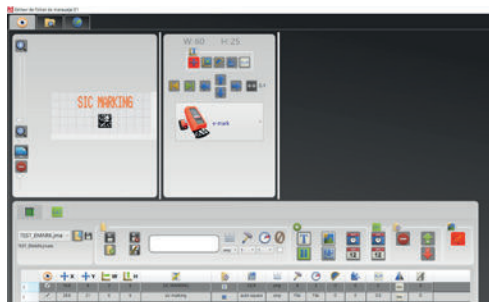
 Radiant marking



 Text or increment

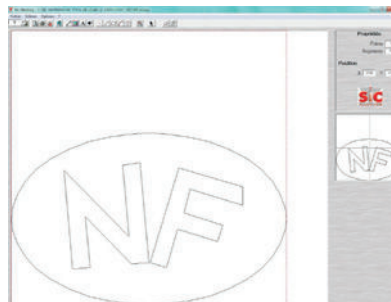
## PC UTILITIES

### File editor



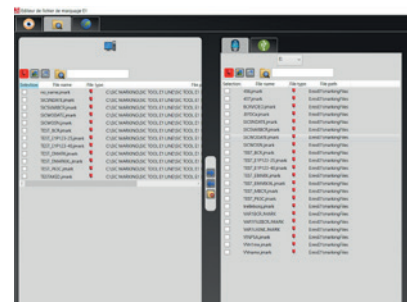
- + Creation or modification of files on PC.

### Creation of logos



- + Creation of vector and matrix logos.

### File manager



- + Backup and transfer of files (by USB key or by USB link).