

Secure,
integrable marking solution
FIT LASER



The mark of quality



SECURE

MODULAR

EASY
TO INTEGRATE

FIT LASER, a marking unit with safety funnel

The laser solution that fits into your production lines

FIT LASER is an all-in-one, integrated marking solution, containing all the protection you need for efficient, safe marking of your parts on your production line.

The FIT LASER marking system is designed **for Class 1 integration**, guaranteeing the protection of nearby personnel thanks to a beam enclosed in a radiation-tight funnel.

1234 5678 90



Mechanical compensation with safety sensor

Drawer with protective glass

Different funnels sizes available

Marking head

Optimized air flow

External or integrated reader

Additional sensors

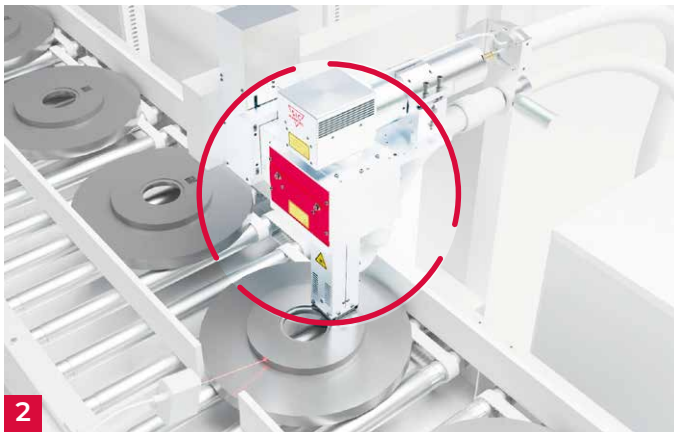
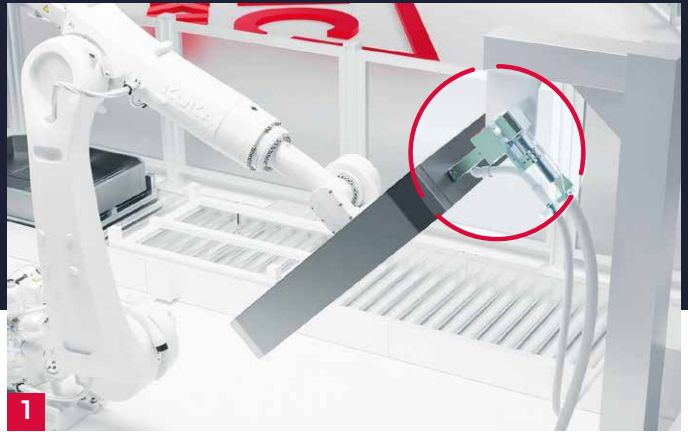
Sealing gasket



Scan the QR CODE to see the demonstration video



Numerous integration options



1 In fixed position:

The part is fed to the FIT

2 On linear axis

3 On Robot or Cobot:

FIT goes by the piece*

* Contact SIC MARKING

Integrated mechanical compensation

- Allows easy installation within your production
- Compensates for robot arm position deviations and part tolerance variations of up to 15mm
- Guarantees optimum laser focal distance and perfect marking quality



Different funnels sizes

Several funnels are available to adapt to the surface to be marked



30x30
mm



50x50
mm



100x30
mm



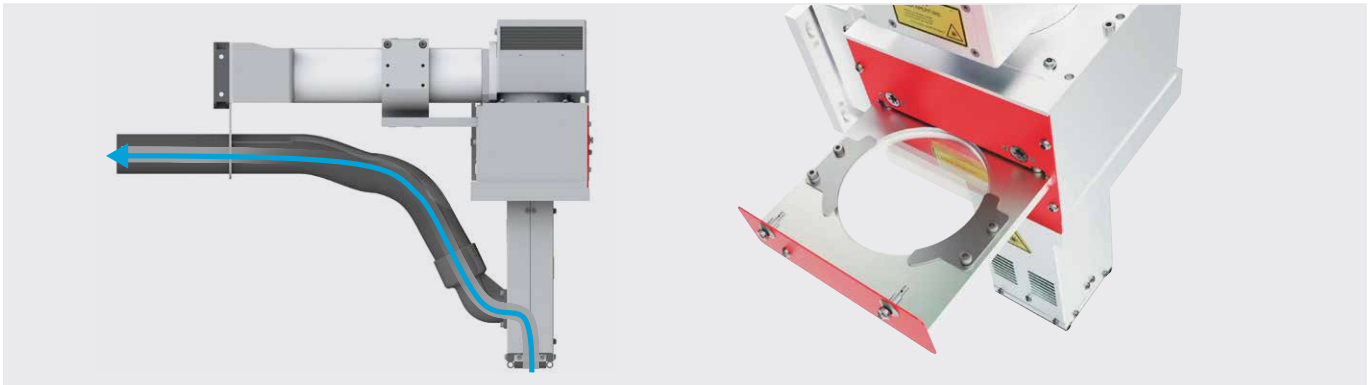
60x30
mm



Custom-made

An integrated solution that complies with safety standards

- Preconfigured system for Class 1 integration, guaranteeing maximum safety
- Nearby personnel protected by confining the laser beam in a radiation-tight funnel
- Performance level PL-e: the highest level of safety according to ISO 13849-1, ensuring total reliability and protection



Simplified maintenance and guaranteed performance

- Optimized airflow: designed to significantly reduce maintenance and cleaning frequency
- Protective glass on drawer for easy cleaning. Optimum protection of optical elements against dust, for long-lasting performance.



Modular FU4 controller: adapts to your automated line

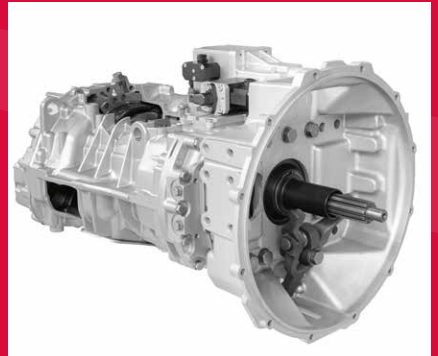
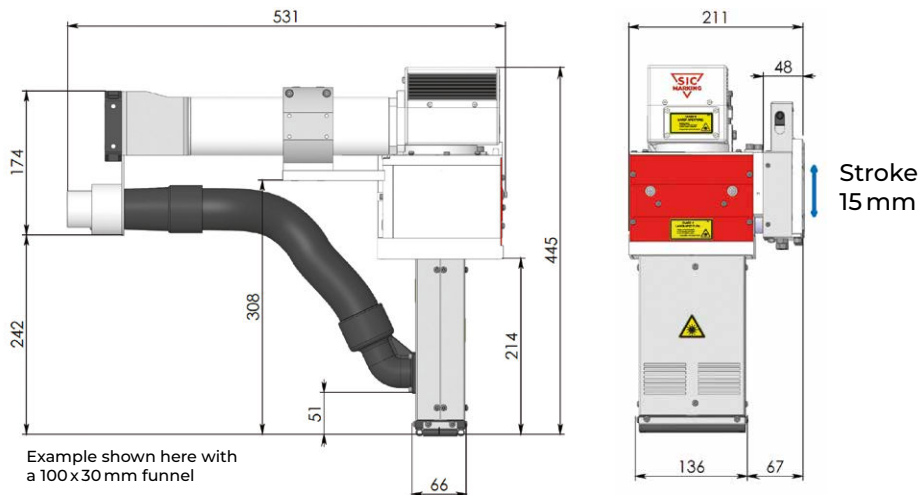
- Compatible with standard fieldbus systems OPC UA, Profinet, Ethernet-IP and Profibus
- Optional I/O card for controlling various accessories, such as additional position sensors, smoke extractors, 2D code readers, etc., via the same protocol
- Integrated touch screen with advanced diagnostic functions



Technical specifications and accessories

Application examples

Technical specifications:



Power supply	100-240V AC
Technology	Fiber laser 1064 nm
Power	20W / 30W / 50W / 60W
Laser safety (EN 60825-1)	Ready for Class 1 integration
FIT weight	13 kg
Performance level of safety devices	PL-e

Available accessories:

Flowmeter



Fume extractor



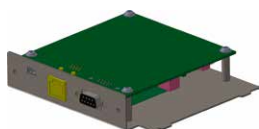
Air-conditioned controller enclosure



Code reader (integrated or external)



Fieldbus board: Profinet, Ethernet IP or Profibus



Additional sensors



The 8 key SIC MARKING services



Personalized advice for the best choice of technology

Laser, micro-percussion or scribing? Our experts will help you identify the marking technology best suited for your requirements, thanks to our wide range of solutions.



Customized solutions tailored to your needs

We develop customized products that are perfectly adapted to your industrial processes and requirements.



Feasibility studies and technical tests

We carry out rigorous feasibility studies and tests to validate each stage of your project. Engineering tests are also available.



Complete training for your teams

Our specialists train your teams in the use of your equipment to ensure autonomous and effective control.



Assistance during commissioning

Our local teams are on hand to support you during the commissioning of your machine, facilitating smooth and rapid integration into your day-to-day operations.



Technical support and after-sales service

Responsive after-sales service and dedicated technical support members are at your side for assistance for the supply of spare parts and consumables.



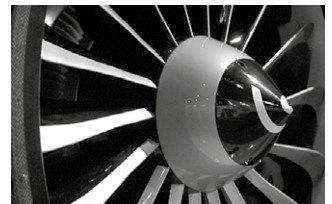
Retrofit solutions for sustainable performance

We offer customized retrofit solutions to extend the life of your machines: backward compatibility with updated components, complete modernization or equipment takeover.



Global support with local expertise

With 10 subsidiaries and a worldwide network of distributors, we offer global resources combined with local support to take charge of your projects from design to installation.



SIC MARKING CANADA
2 Rue de Lauzon #35,
Boucherville, QC, Canada
+1 450-449-9133

info@sicmarking.com
<https://www.sic-marking.ca>

